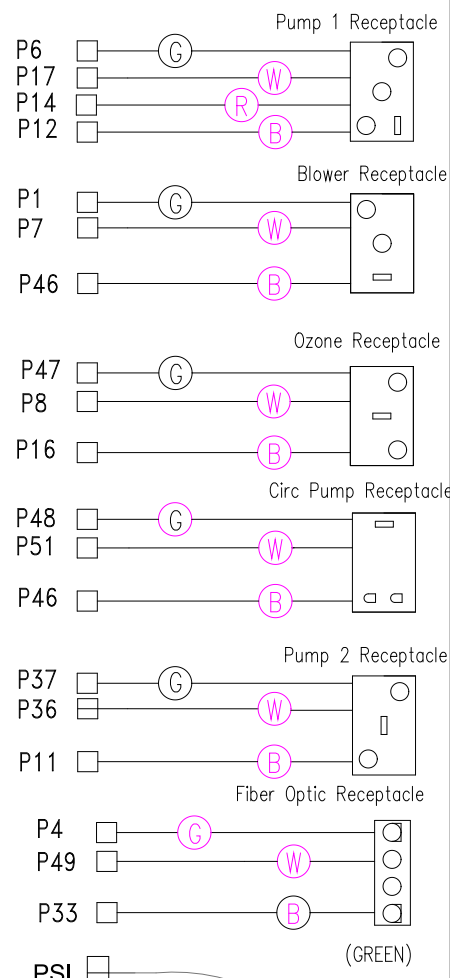
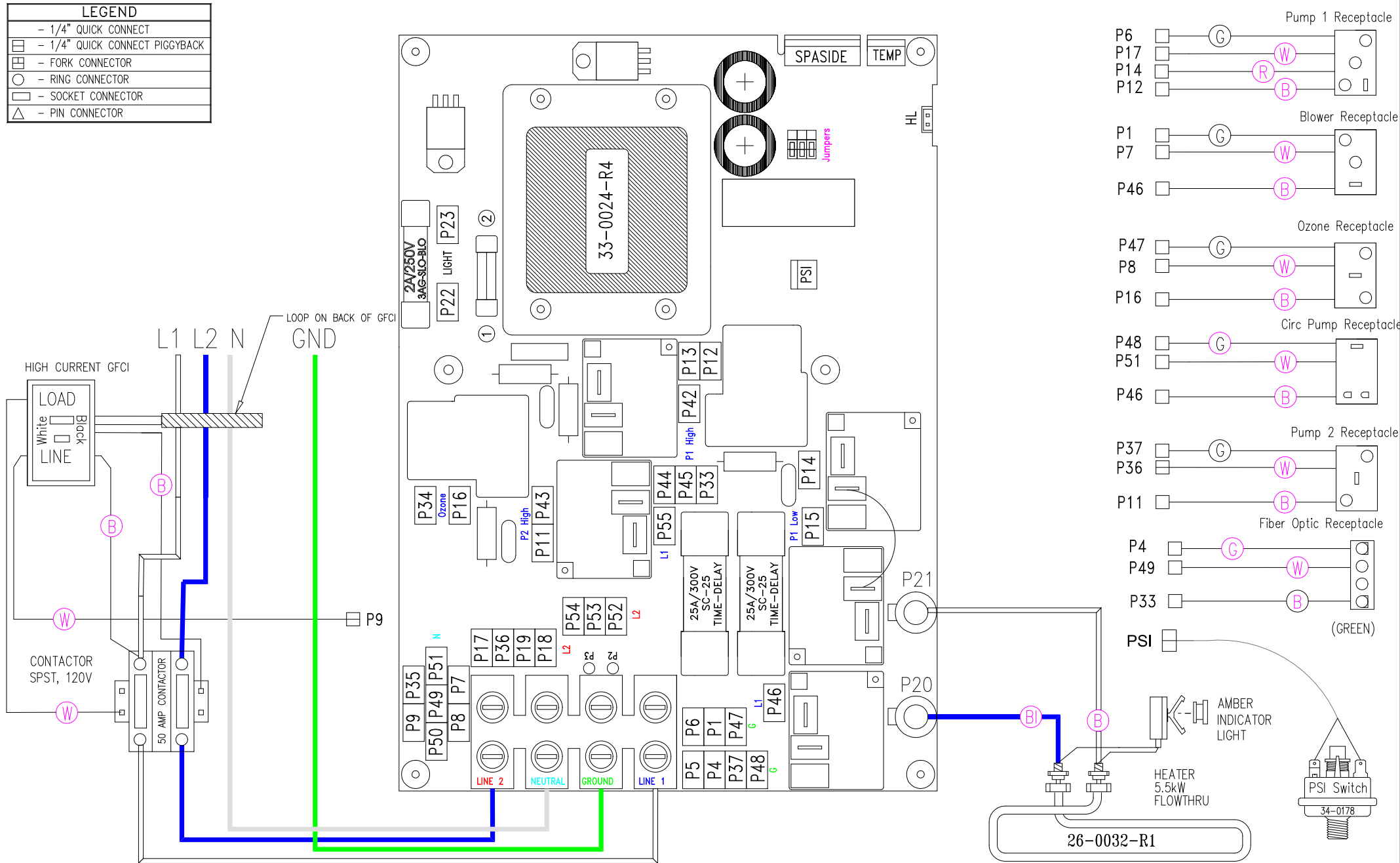


LEGEND	
-	1/4" QUICK CONNECT
□	1/4" QUICK CONNECT PIGGYBACK
⊞	FORK CONNECTOR
○	RING CONNECTOR
□	SOCKET CONNECTOR
△	PIN CONNECTOR



HYDRO-QUIP
CORONA, CA (909) 273-7575

Manufacture Notes:

Approved By:

Dwg. No.
J2R23AH-KMQY-C

Drawn
BH

Rev
9

Wire Color Code

Sheetmetal #:
65-0189

Date
03.24.05

B - Black	G - Green
Br - Brown	Bl - Blue
R - Red	V - Violet
O - Orange	W - White
Y - Yellow	Gr - Gray

Diagram No.
4906-JS